

2MP Fixed Dome Network Camera

IPC3612LR3-PF28 (40)-C



Key Features

Optics

- Day/night functionality
- Smart IR, up to 30 m (98 ft) IR distance
- 2D/3D DNR (Digital Noise Reduction)

Compression

- Ultra 265, H.265, H.264, MJPEG
- Triple streams

Network

- ONVIF Conformance

Structure

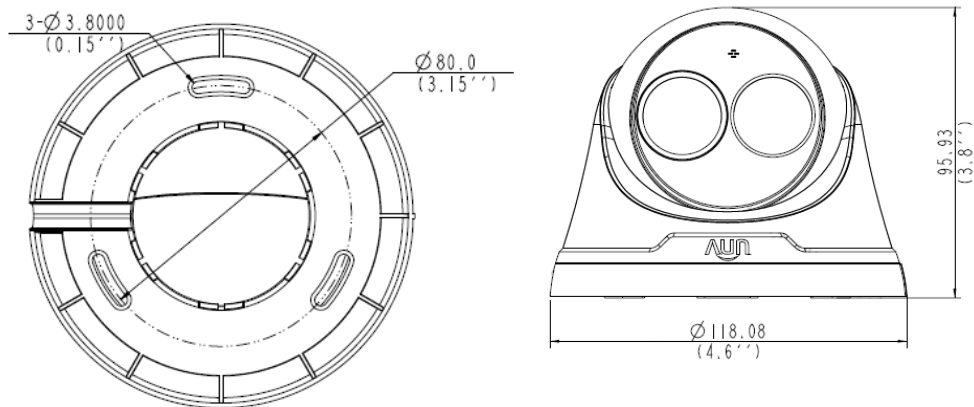
- Wide temperature range: -20°C to 50°C (-4°F to 122°F)
- Wide voltage range of ±25%

Specifications

	IPC3612LR3-PF28-C	IPC3612LR3-PF40-C
Camera		
Sensor	1/2.7", progressive scan, 2megapixel, CMOS	
Lens	2.8mm@F1.8	4.0mm@F1.8
Angle of view(H)	105.2°	76.6°

Shutter	Auto/Manual, 1/6~1/100000 s
Minimum Illumination	Colour: 0.02 Lux (F1.8, AGC ON) 0 Lux with IR
Day/Night	IR-cut filter with auto switch (ICR)
Digital noise reduction	2D/3D DNR
S/N	>52dB
IR Range	Up to 30m (98 ft) IR range
Defog	Digital Defog
WDR	DWDR
Video	
Video Compression	Ultra 265,H.265, H.264, MJPEG
H.264 code profile	Baseline profile, Main Profile, High Profile
Frame Rate	Main Stream: 2MP (1920×1080): Max. 25 fps; Sub Stream:720P (1280×720): Max. 25 fps; Third Stream:D1(720×576) : Max. 25fps
HLC	Supported
BLC	Supported
OSD	Up to 8 OSDs
Privacy Mask	Up to 8 areas
ROI	Up to 8 areas
Motion Detection	Up to 4 areas
Network	
Protocols	IPv4, IGMP, ICMP, ARP, TCP, UDP, DHCP, PPPoE, RTP, RTSP, RTCP, DNS, DDNS, NTP, FTP, UPnP, HTTP, HTTPS, SMTP
Compatible Integration	ONVIF(Profile S, Profile G), API
Interface	
Network	1 RJ45 10M/100M Base-TX Ethernet
General	
Power	12 V DC±25%, PoE (IEEE802.3 af)
	Power consumption: Max 5.0W
Dimensions (Ø x H)	Φ118 x 96 mm (Ø4.6" x 3.8")
Weight	0.2 kg (0.44lb)
Working Environment	-20°C ~ +50°C (-4°F ~ 122°F), Humidity :10%~95% RH(non-condensing)

Dimensions



Zhejiang Uniview Technologies Co., Ltd.

South Tower, Building 10, Wanlun Science Park, 88 Jiangling Road, Hangzhou, P.R.China 310051

Email: overseasbusiness@uniview.com; globalsupport@uniview.com

<http://www.uniview.com>

©2017 Zhejiang Uniview Technologies Co., Ltd. All rights reserved.

*Product specifications and availability are subject to change without notice.